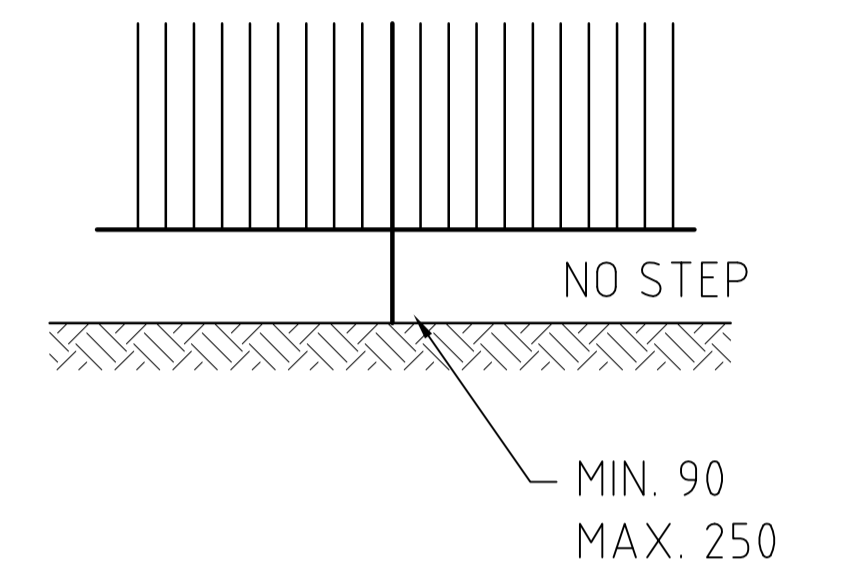
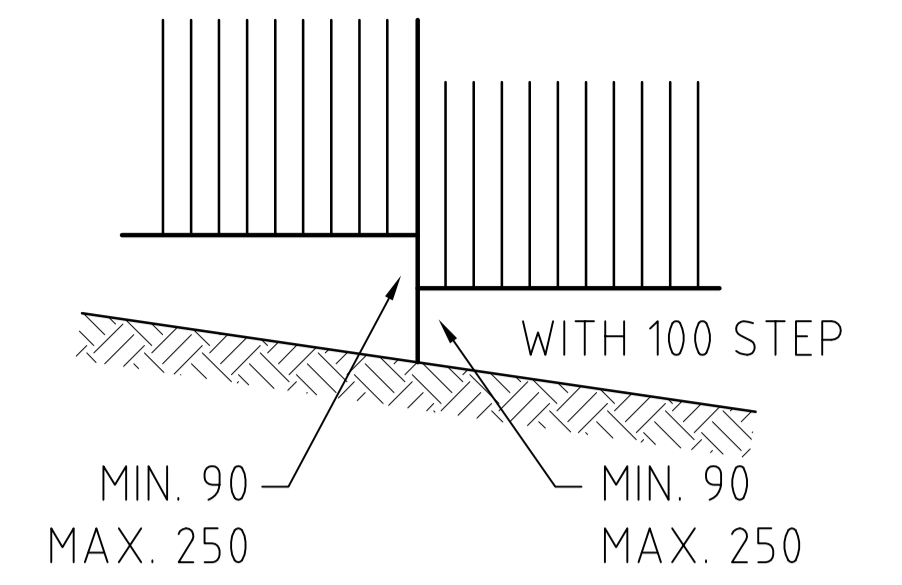
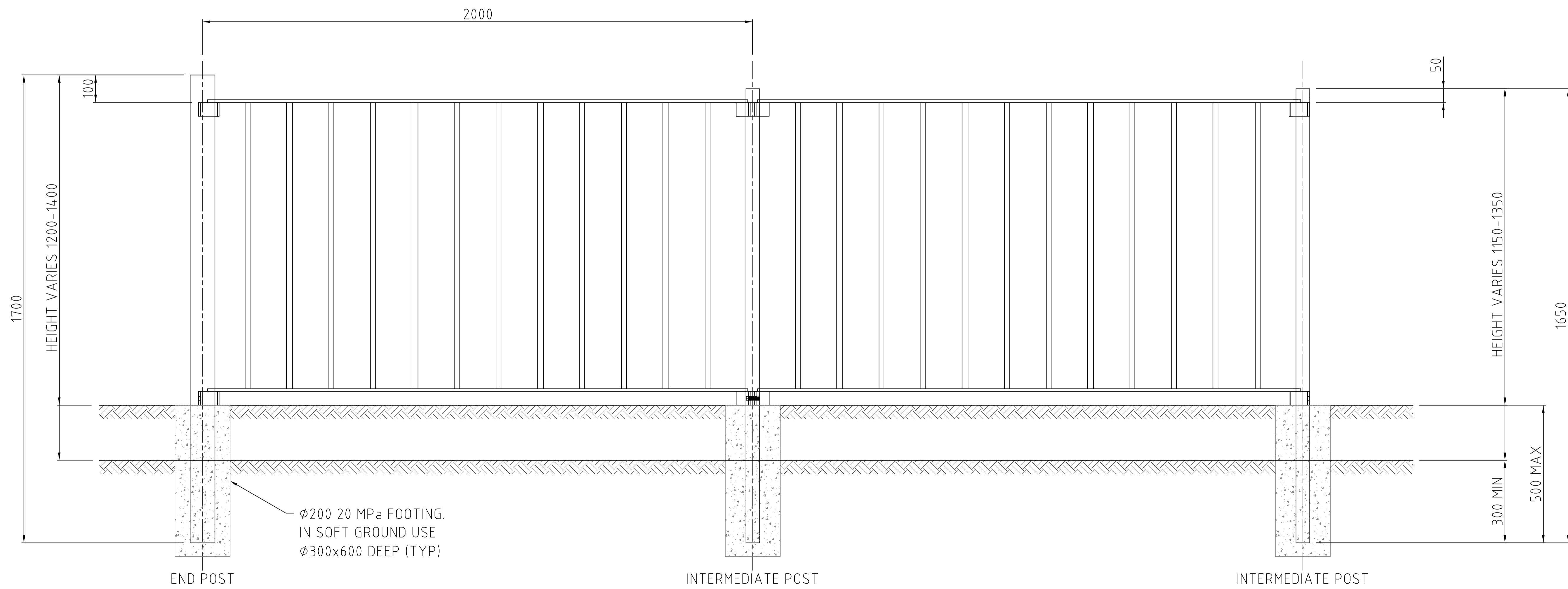


BALUSTER ORIENTATION



BOTTOM CLEARANCE DETAILS



ELEVATION

REV	DATE	DESCRIPTION	DRAWN	APPRD.
A	29.07.14	INITIAL ISSUE	DB	TC

REV	DATE	DESCRIPTION	DRAWN	APPRD.

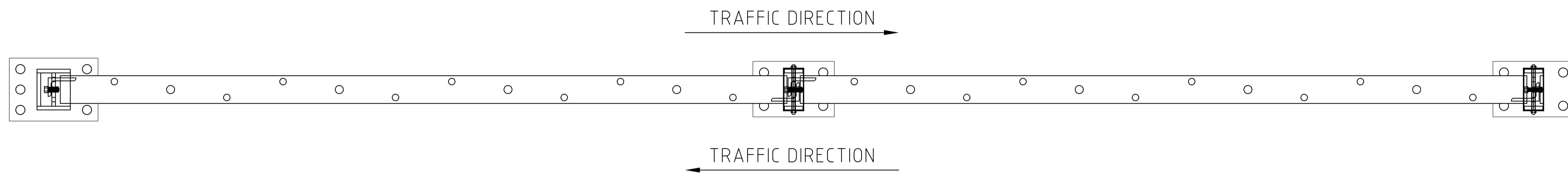
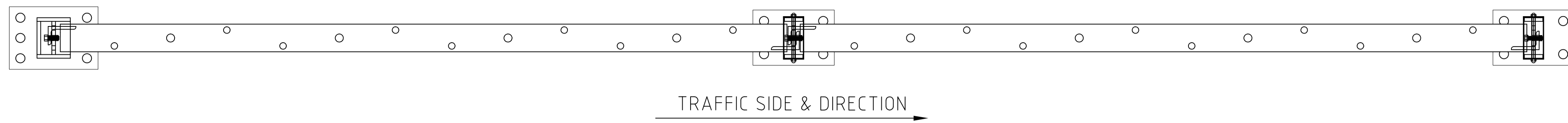


DRAWING DESCRIPTION
DRAWING REFERENCE

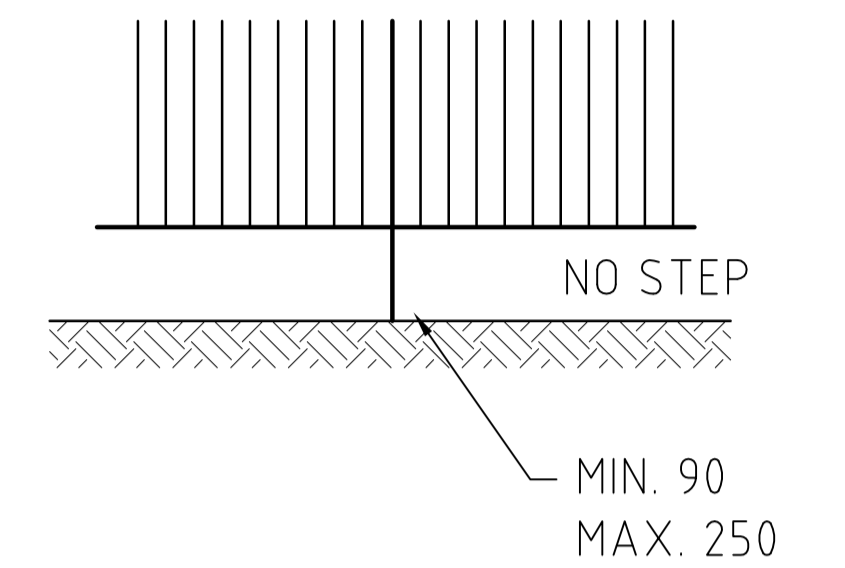
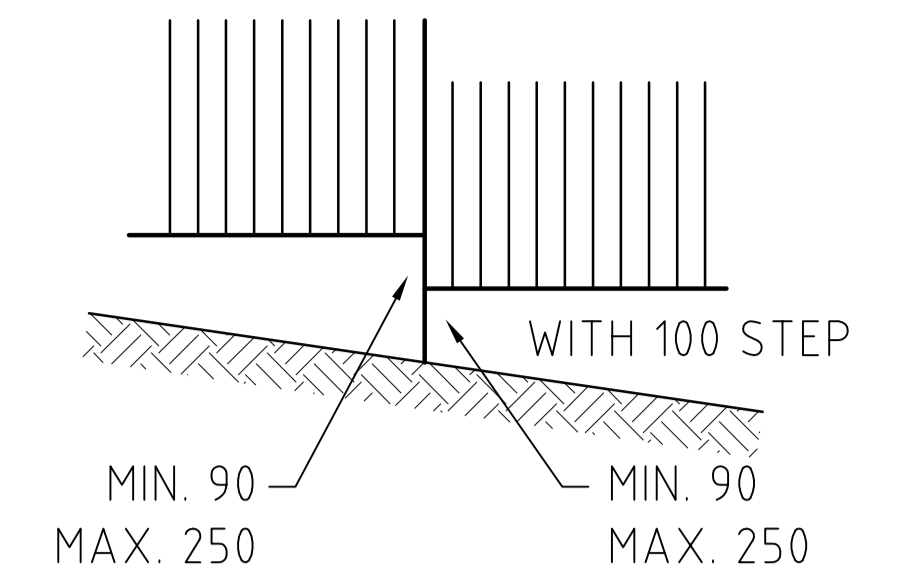
TYPE 1 PEDESTRIAN FENCE - CONCRETE FOOTINGS

PF-SD-001

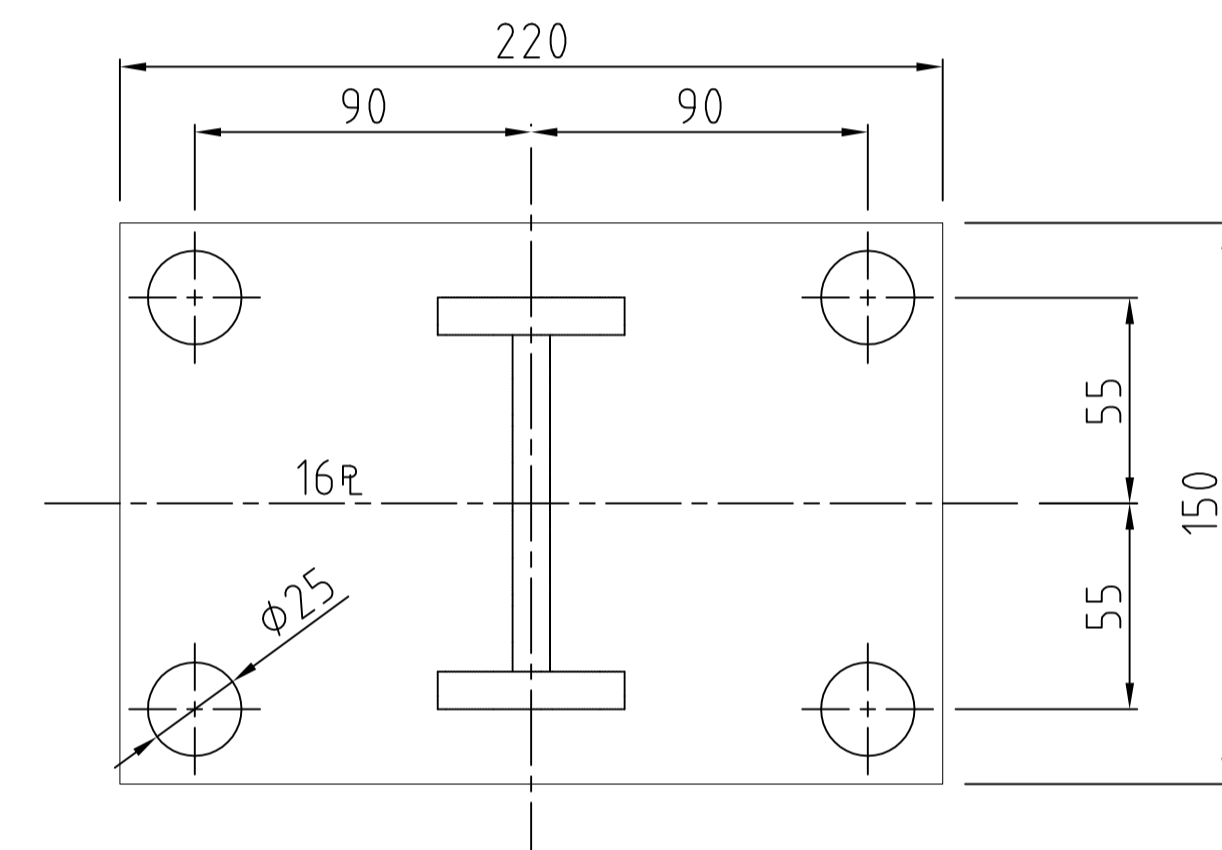
DRAWN BY	AUSTEC DRAFTING	DIMENSIONS	mm
CHECKED	H. WALLACE	SCALE	NTS
APPROVED	T. COLQUHOUN		



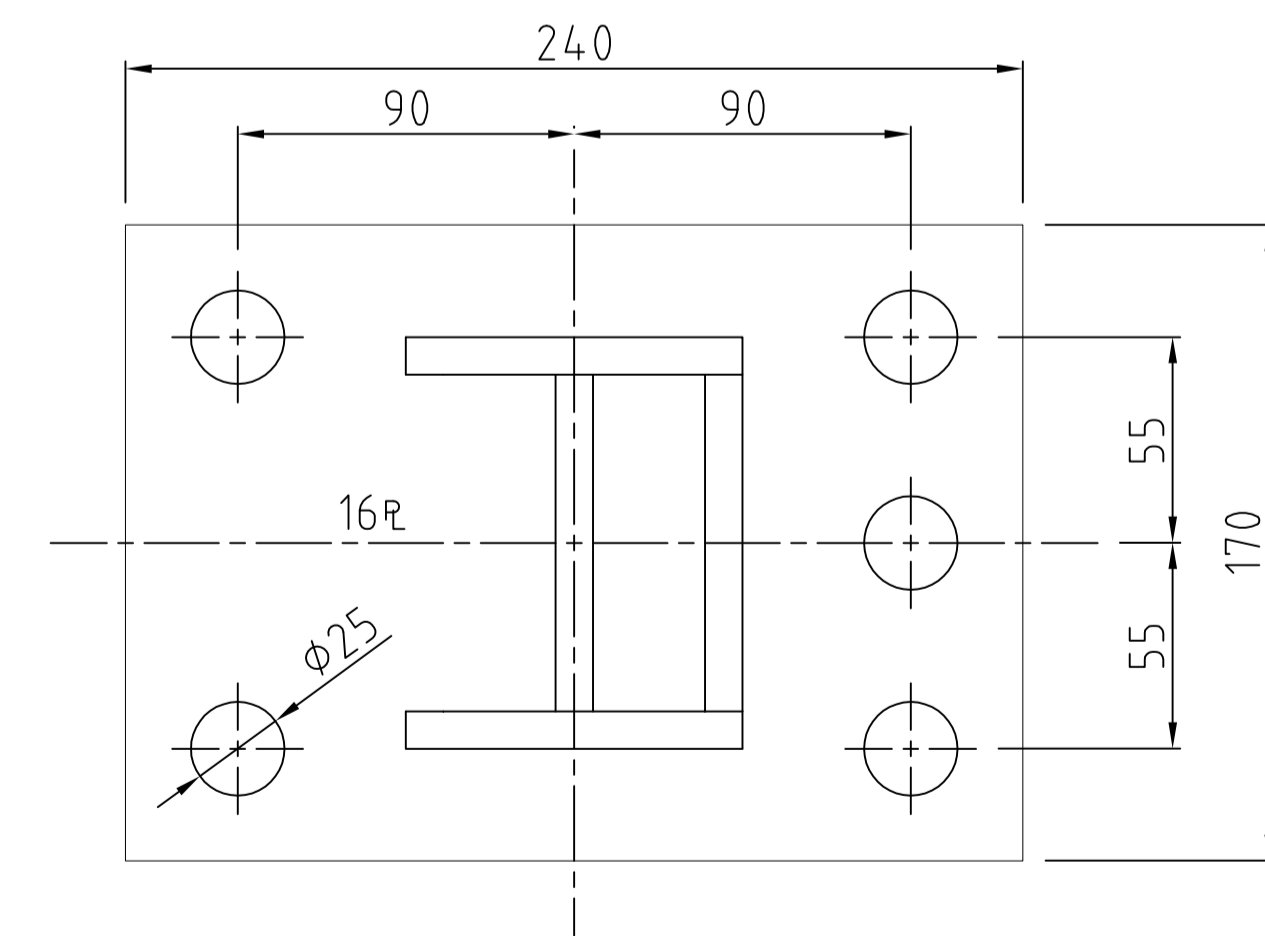
BALUSTER ORIENTATION



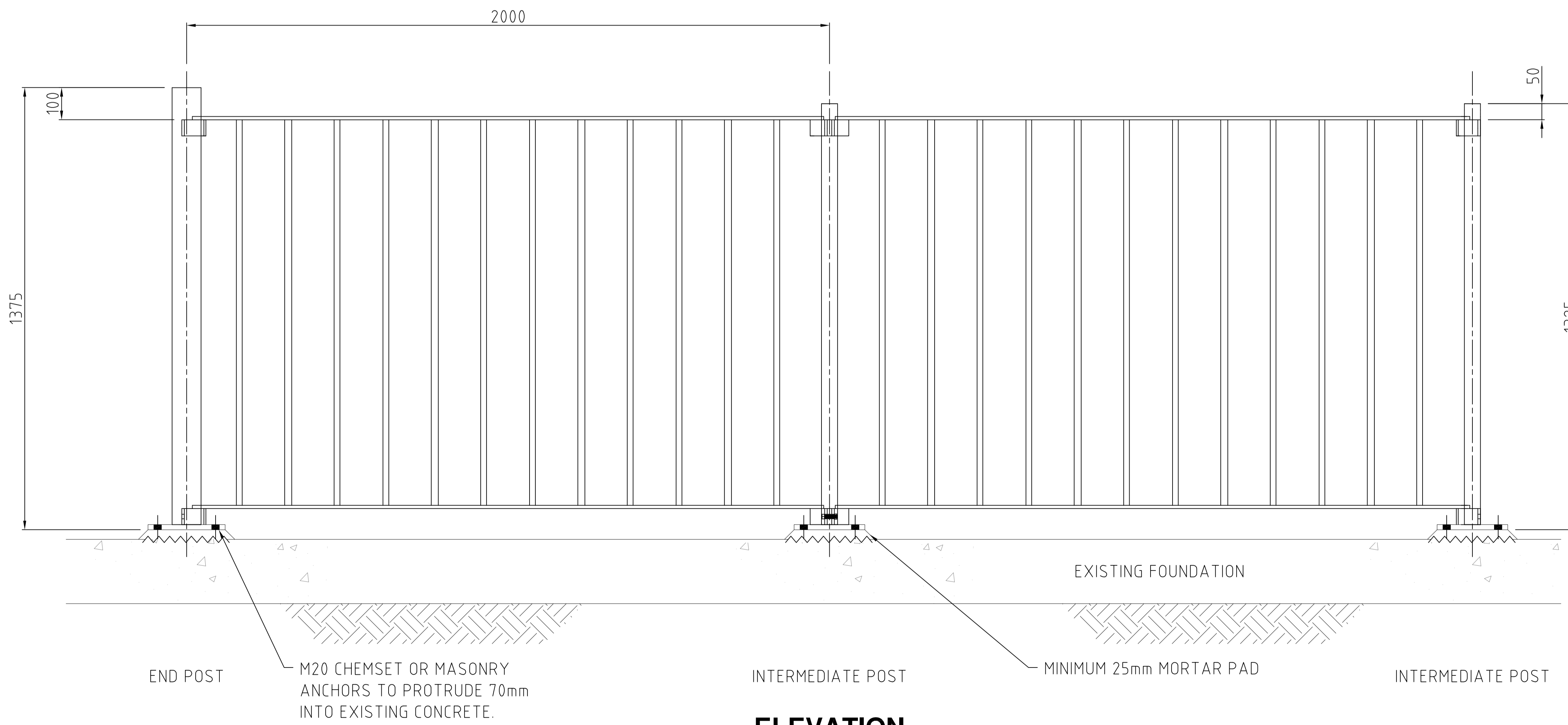
BOTTOM CLEARANCE DETAILS



**INTERMEDIATE POST
BASE PLATE DETAIL**



**END POST
BASE PLATE DETAIL**



ELEVATION

REV	DATE	DESCRIPTION	DRAWN	APPRD.
A	29.07.14	INITIAL ISSUE	DB	TC

REV	DATE	DESCRIPTION	DRAWN	APPRD.



DRAWING DESCRIPTION
DRAWING REFERENCE

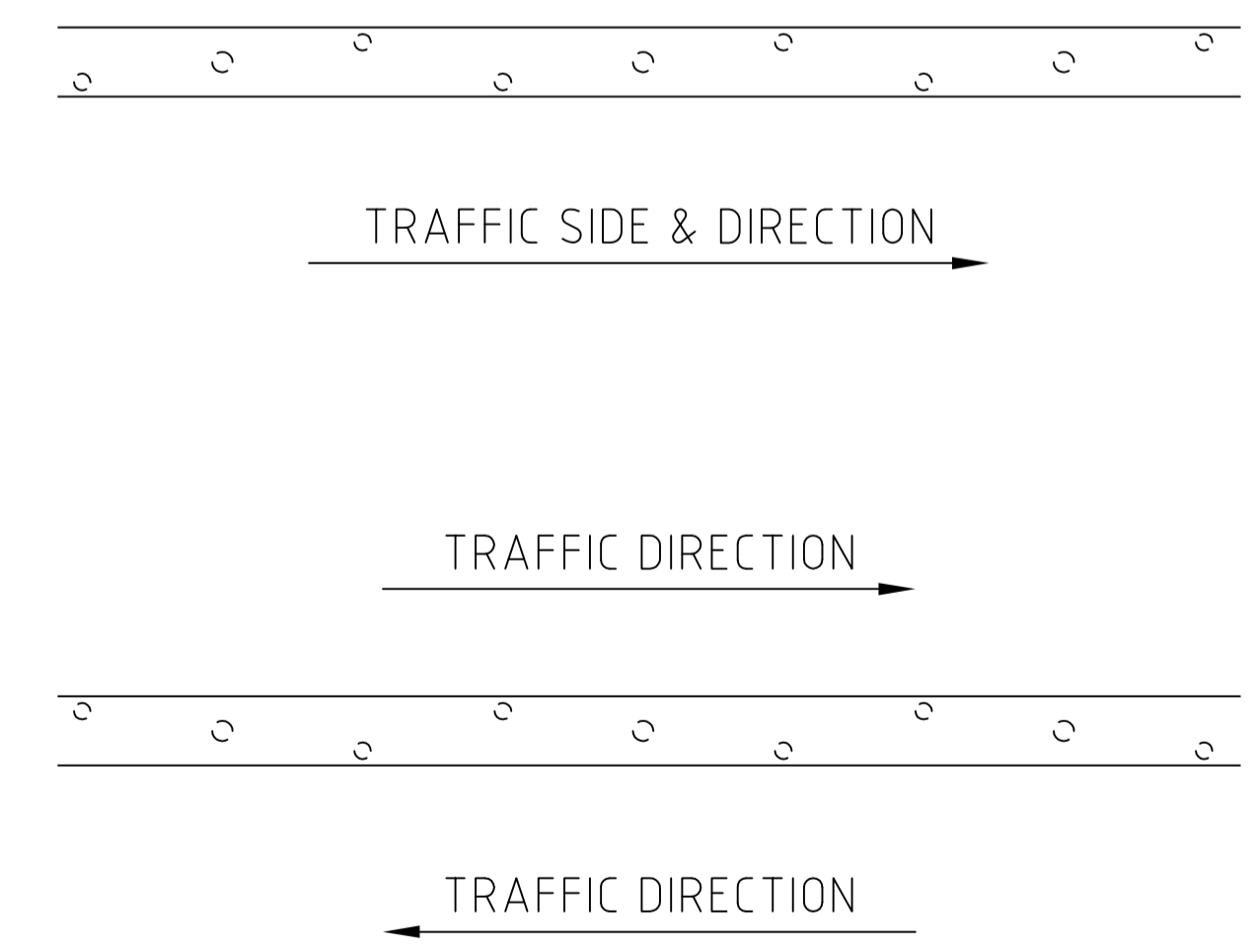
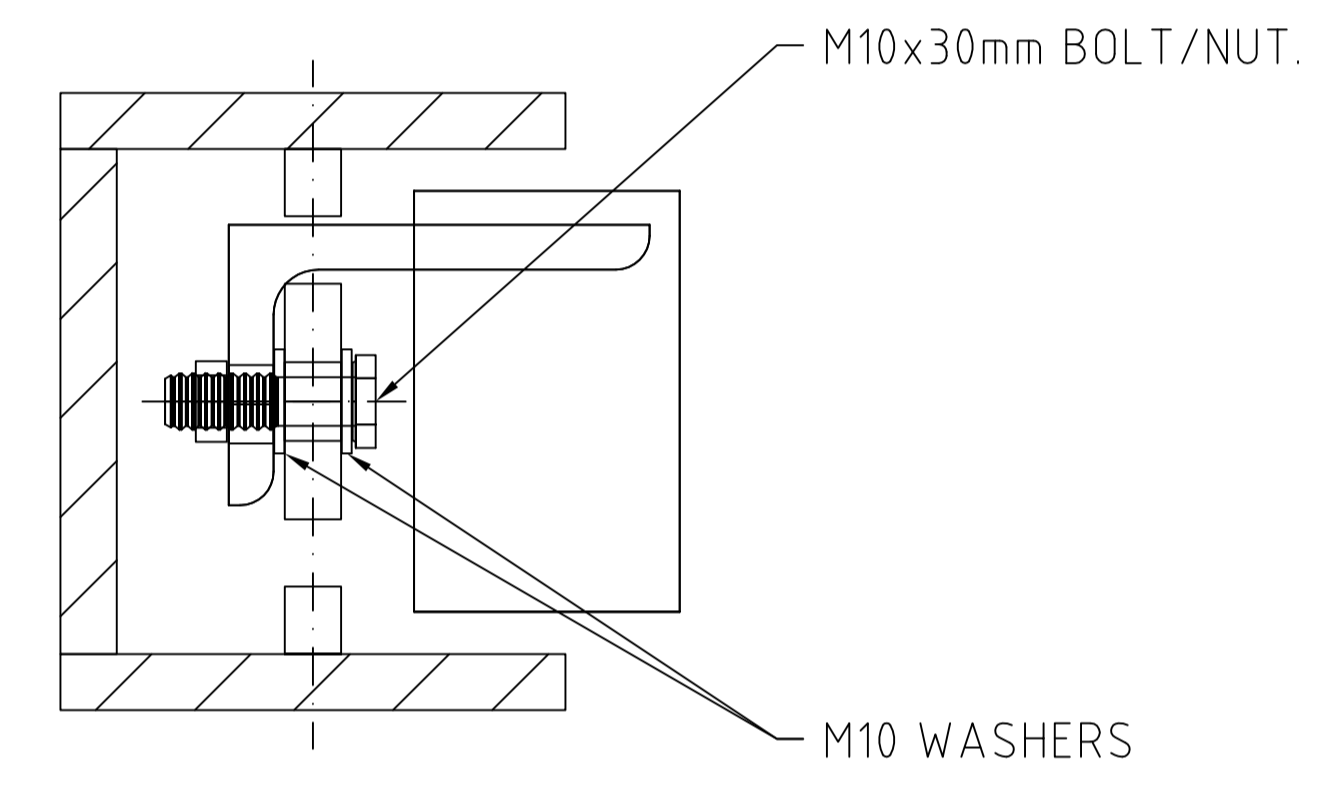
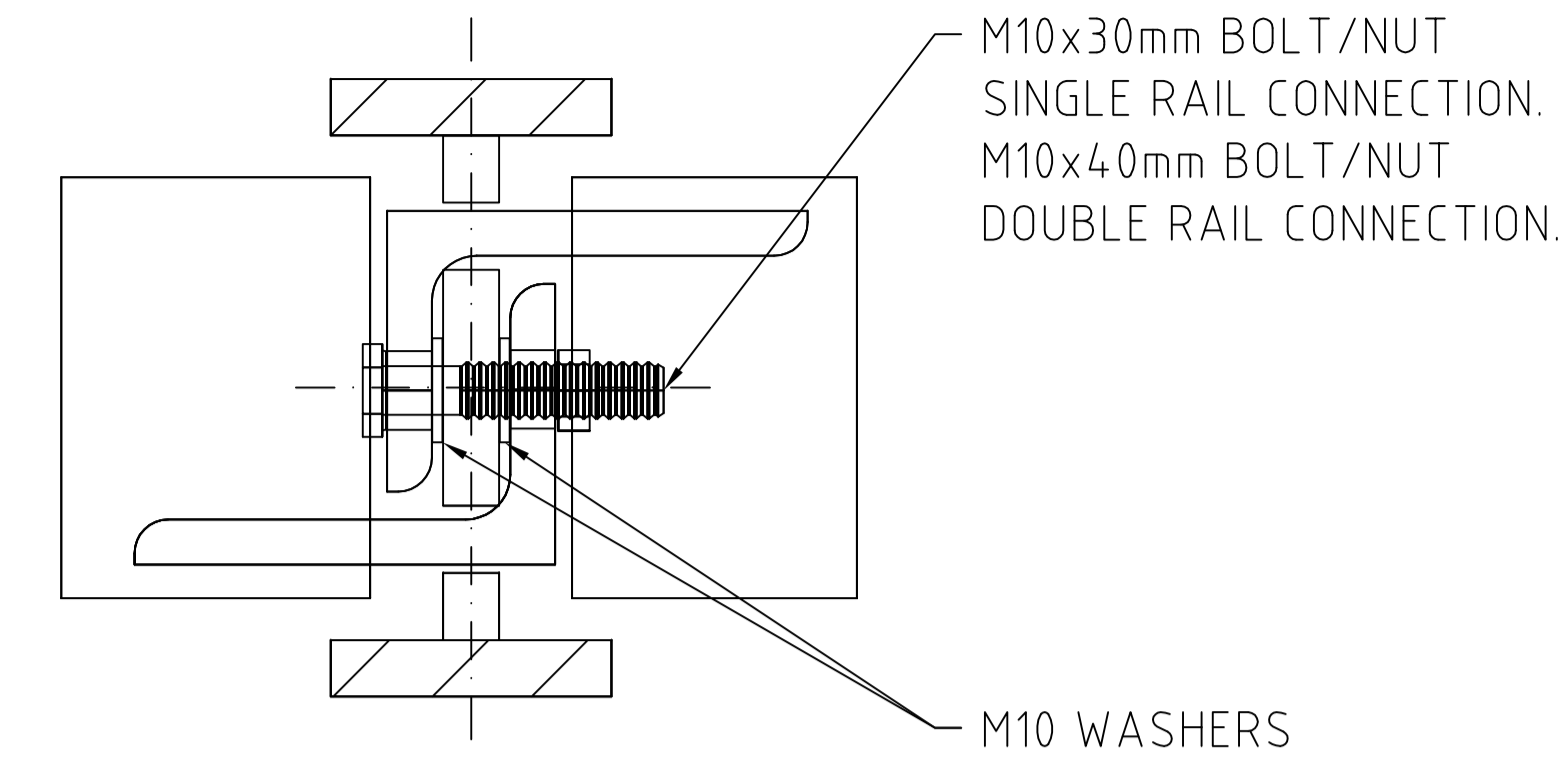
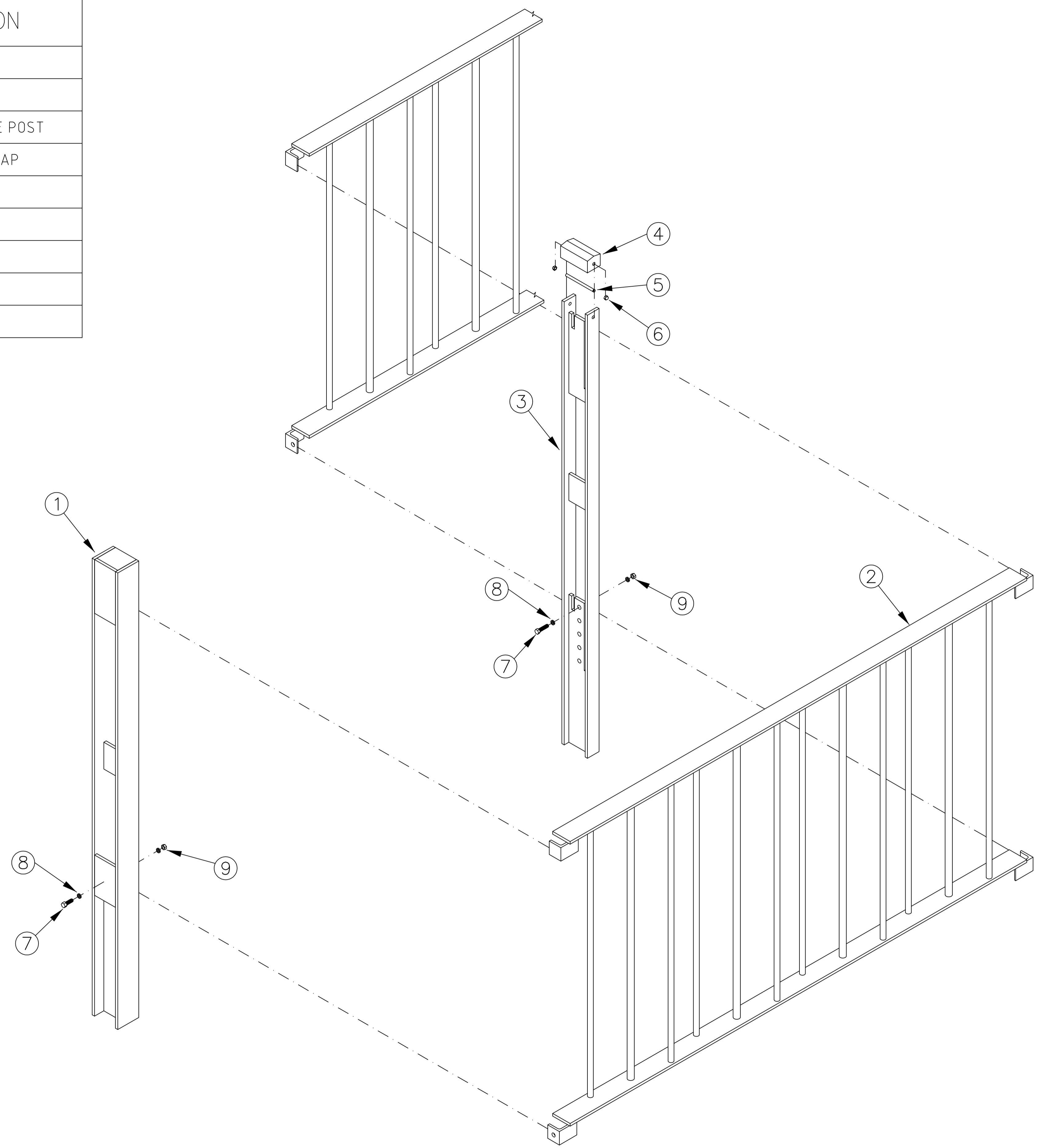
TYPE 1 PEDESTRIAN FENCE - BASE PLATES

PF-SD-003

DRAWN BY	AUSTEC DRAFTING	DIMENSIONS	mm
CHECKED	H. WALLACE	SCALE	NTS
APPROVED	T. COLQUHOUN		

BILL OF MATERIALS

ITEM	DESCRIPTION
1	1700mm END POST
2	2000mm PANEL
3	1650mm INTERMEDIATE POST
4	CROSS BREAK POST CAP
5	M8 THREADED ROD
6	M8 DOME HEAD NUT
7	M10 BOLT
8	M10 WASHER
9	M10 NUT



REV	DATE	DESCRIPTION	DRAWN	APPRD.
A	04.08.14	INITIAL ISSUE	DB	TC

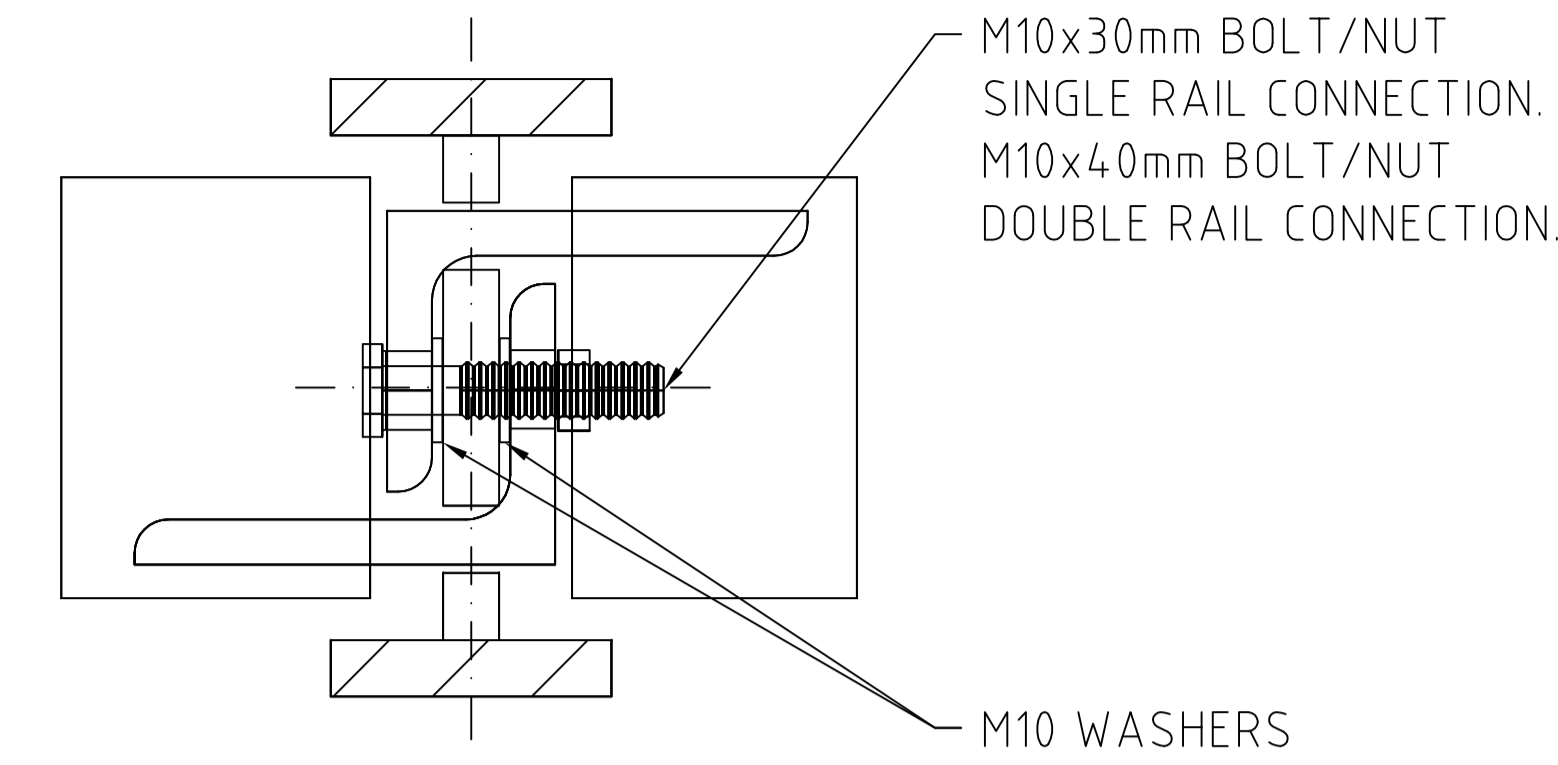
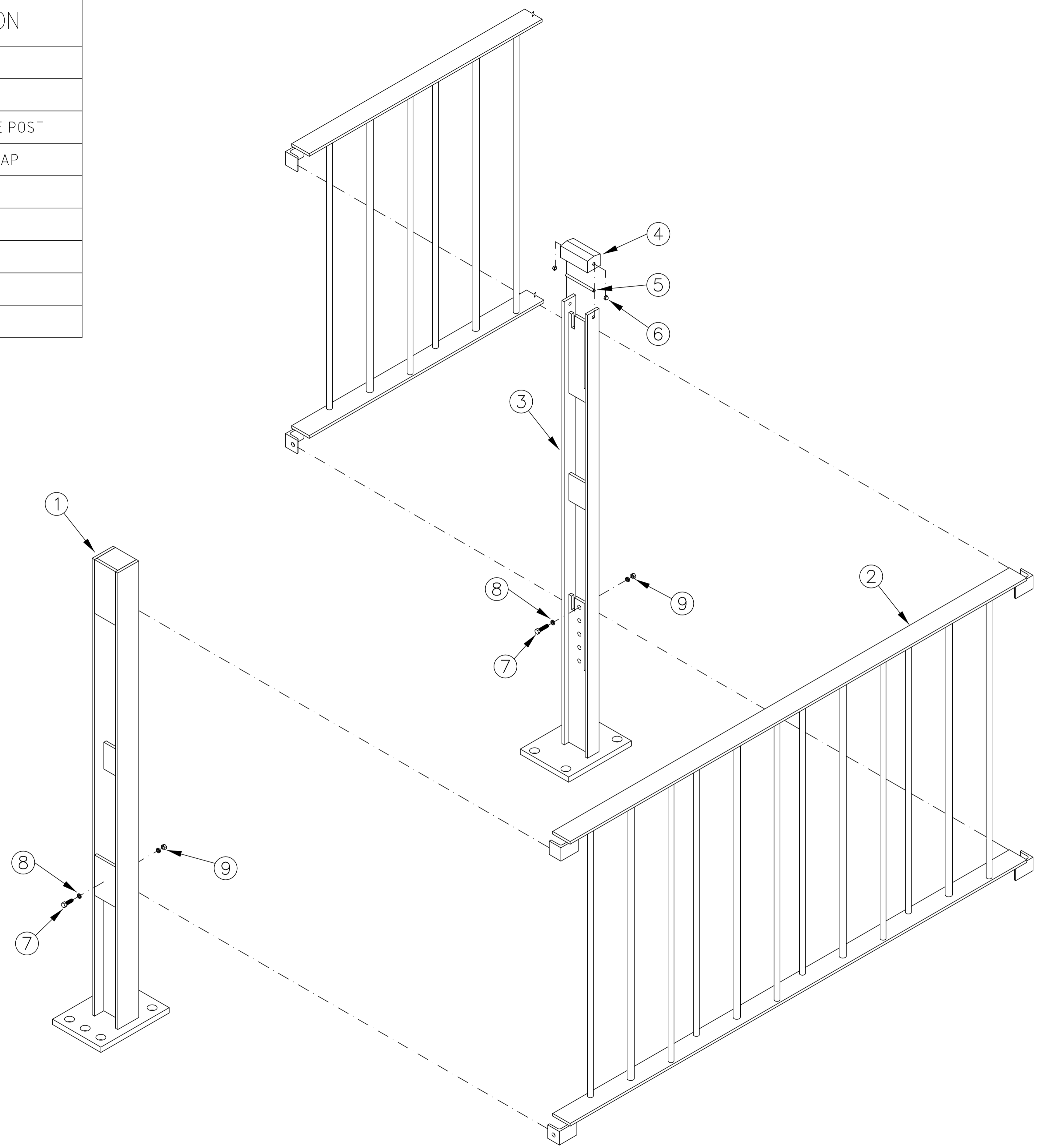
REV	DATE	DESCRIPTION	DRAWN	APPRD.



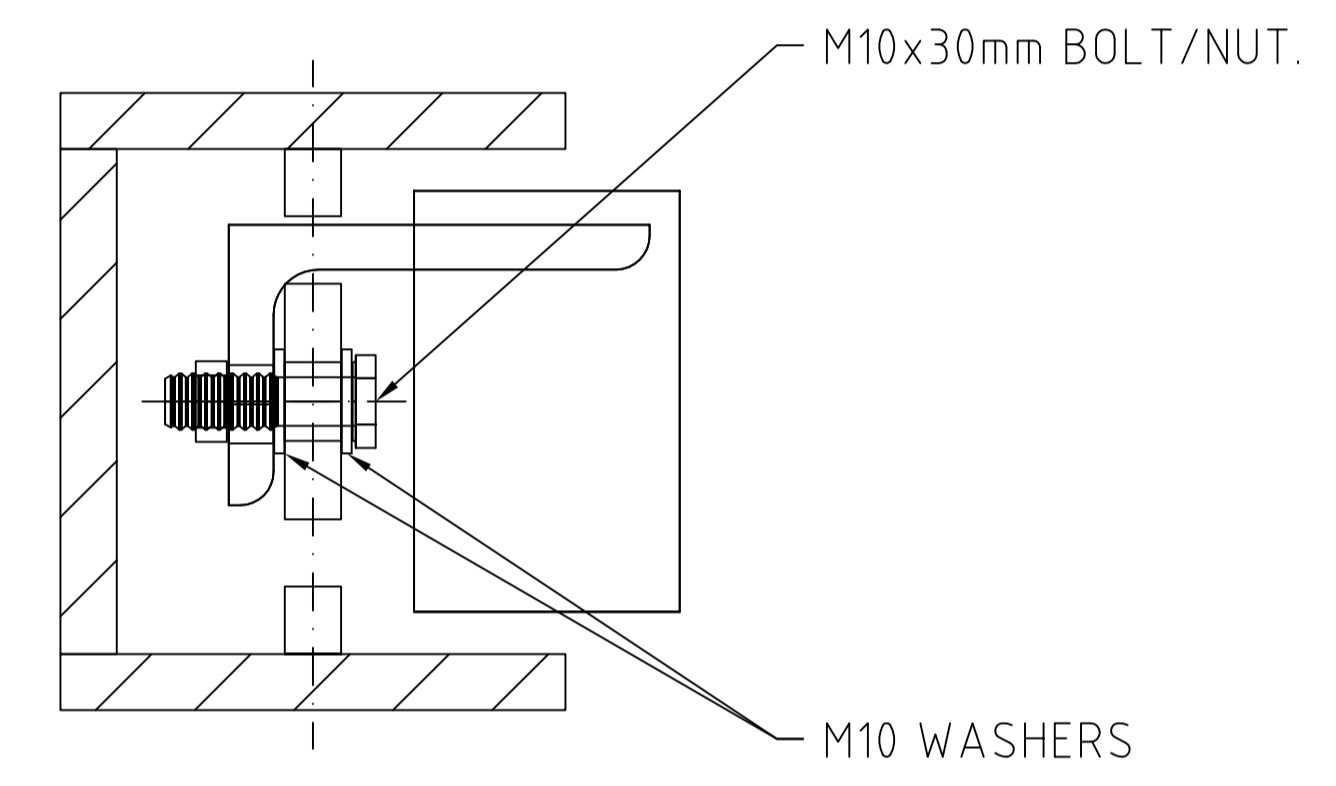
DRAWING DESCRIPTION	TYPE 1 PEDESTRIAN FENCE ASSEMBLY CONCRETE FOOTINGS			
	DRAWN BY	AUSTEC DRAFTING	DIMENSIONS	mm
DRAWING REFERENCE	PF-SD-005		CHECKED	H. WALLACE
			APPROVED	T. COLQUHOUN
		SCALE	NTS	

BILL OF MATERIALS

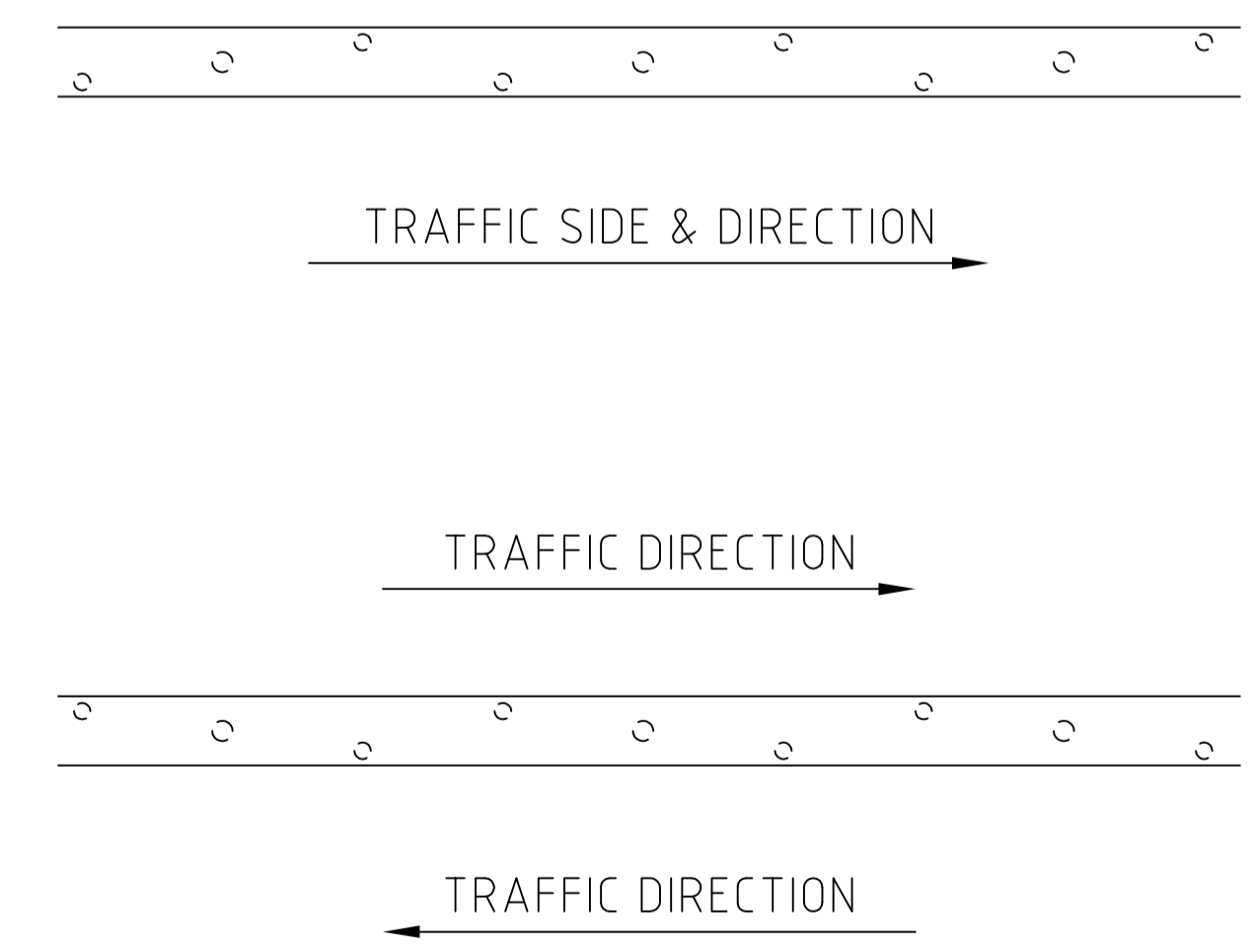
ITEM	DESCRIPTION
1	1375mm END POST
2	2000mm PANEL
3	1325mm INTERMEDIATE POST
4	CROSS BREAK POST CAP
5	M8 THREADED ROD
6	M8 DOME HEAD NUT
7	M10 BOLT
8	M10 WASHER
9	M10 NUT



**INTERMEDIATE POST CONNECTION
BOTTOM DETAIL**



**END POST CONNECTION
BOTTOM DETAIL**



BALUSTER ORIENTATION

REV	DATE	DESCRIPTION	DRAWN	APPRD.
A	04.08.14	INITIAL ISSUE	DB	TC

REV	DATE	DESCRIPTION	DRAWN	APPRD.



DRAWING DESCRIPTION	TYPE 1 PEDESTRIAN FENCE ASSEMBLY BASE PLATES			
	DRAWN BY	AUSTEC DRAFTING	DIMENSIONS	mm
DRAWING REFERENCE	PF-SD-007		CHECKED	H. WALLACE
			APPROVED	T. COLQUHOUN
		SCALE	NTS	