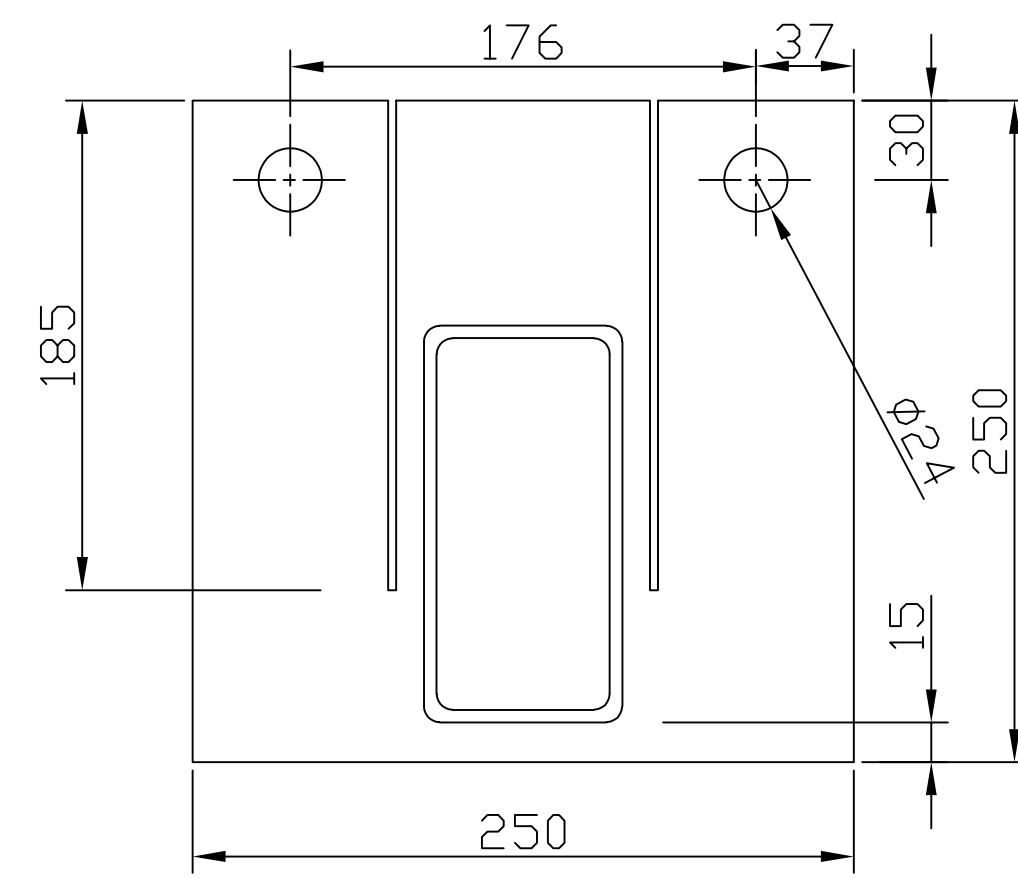
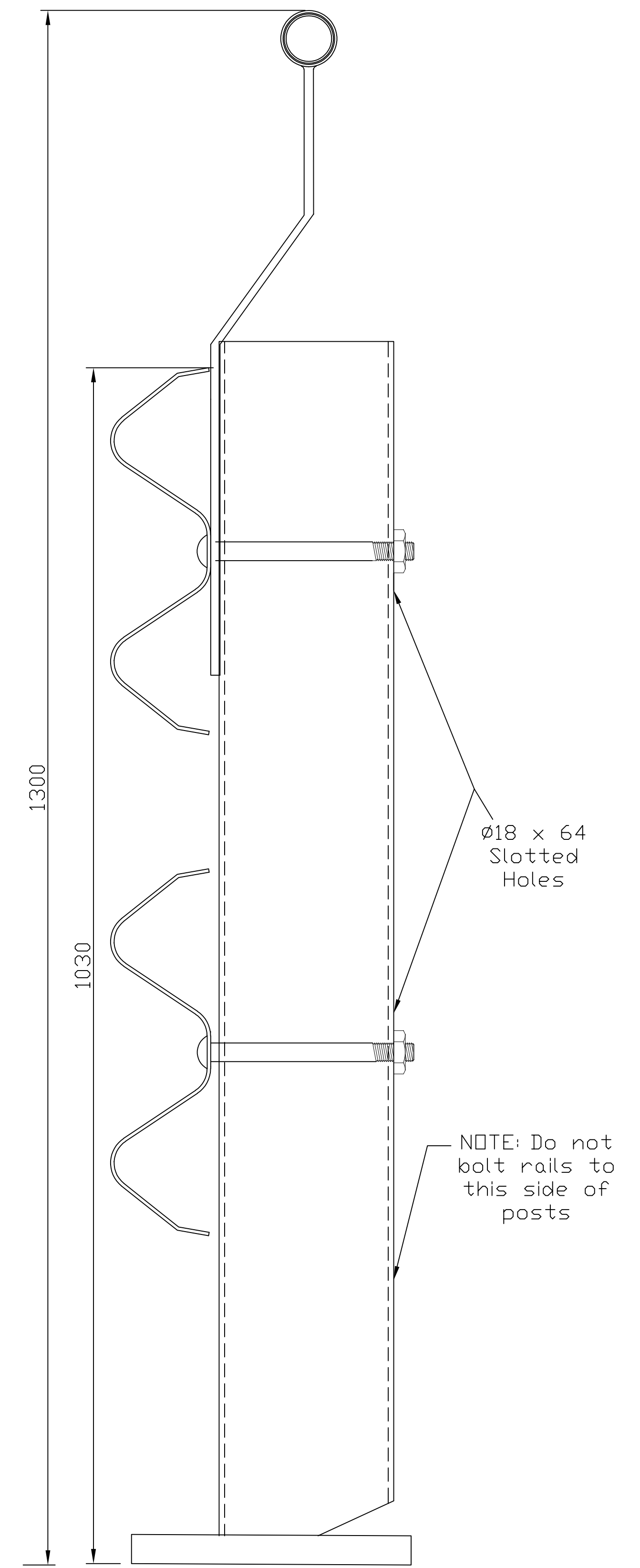


BILL OF MATERIALS	
ITEM	DESCRIPTION
1	RHINO STOP TRUCK GUARD POST
2	W-BEAM GUARDRAIL
3	HANDRAIL EXTENSION
4	HANDRAIL PIPE



Baseplate Detail



Elevation View

Rhino-Stop Truck Guard has been assessed to exceed the 40kN impact load as described in AS/NZS 1170.1 for Medium Traffic areas.

REVISIONS					REVISIONS				
REV	DATE	DESCRIPTION	DRAWN	APPRD.	REV	DATE	DESCRIPTION	DRAWN	APPRD.
A	19.12.2018	INITIAL ISSUE	M.S	H.W					



DRAWING DESCRIPTION		Rhino-Stop Truck Guard Type 2				
DRAWING REFERENCE		GR-WB-041		DIMENSIONS	mm	
DRAWN BY		M. SEAL	CHECKED	T. COLQUHOUN	APPROVED	H. WALLACE
				SCALE	N.T.S	