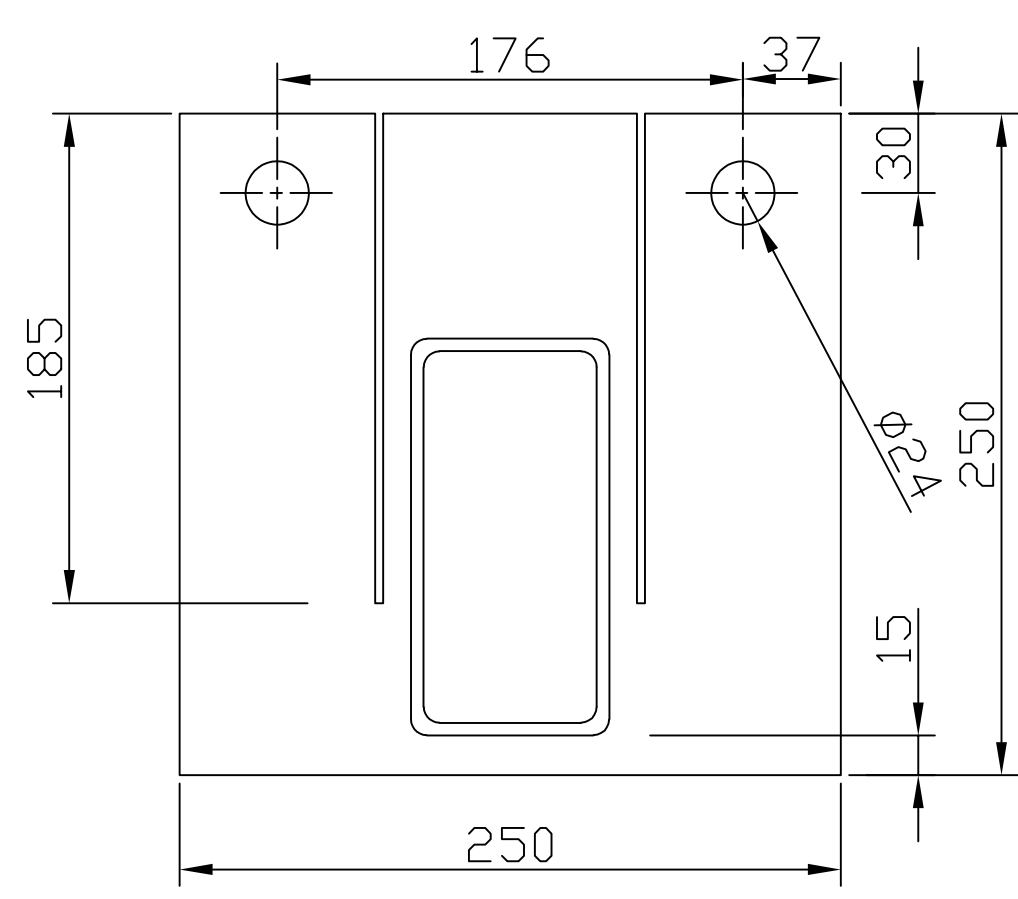
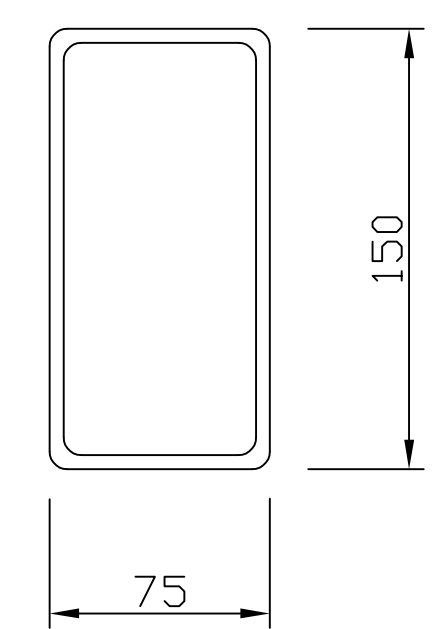


| BILL OF MATERIALS | |
|-------------------|-----------------------------|
| ITEM | DESCRIPTION |
| 1 | RHINO STOP TRUCK GUARD POST |
| 2 | W-BEAM GUARDRAIL |
| 3 | M16 x 180mm POST BOLT / NUT |
| 4 | M16 x 32mm SPLICE BOLT/NUT |
| 5 | M20 ANCHOR BOLT |



Rhino-Stop Truck Guard has been assessed to exceed the 40kN impact load as described in AS/NZS 1170.1 for Medium Traffic areas.

Section Detail

Baseplate Detail

Elevation View

| REV | DATE | DESCRIPTION | DRAWN | APPRD. |
|-----|------------|---------------|-------|--------|
| A | 27.03.2015 | INITIAL ISSUE | M.S | H.W |

| REV | DATE | DESCRIPTION | DRAWN | APPRD. |
|-----|------|-------------|-------|--------|
| | | | | |



| | | | | |
|---------------------|--|-------------------------------|---------|--------------|
| DRAWING DESCRIPTION | | Rhino-Stop Truck Guard Type 1 | | |
| DRAWING REFERENCE | | GR-WB-040 | | DIMENSIONS |
| DRAWN BY | | M. SEAL | CHECKED | T. COLQUHOUN |
| APPROVED | | H. WALLACE | | |
| SCALE | | N.T.S | | |