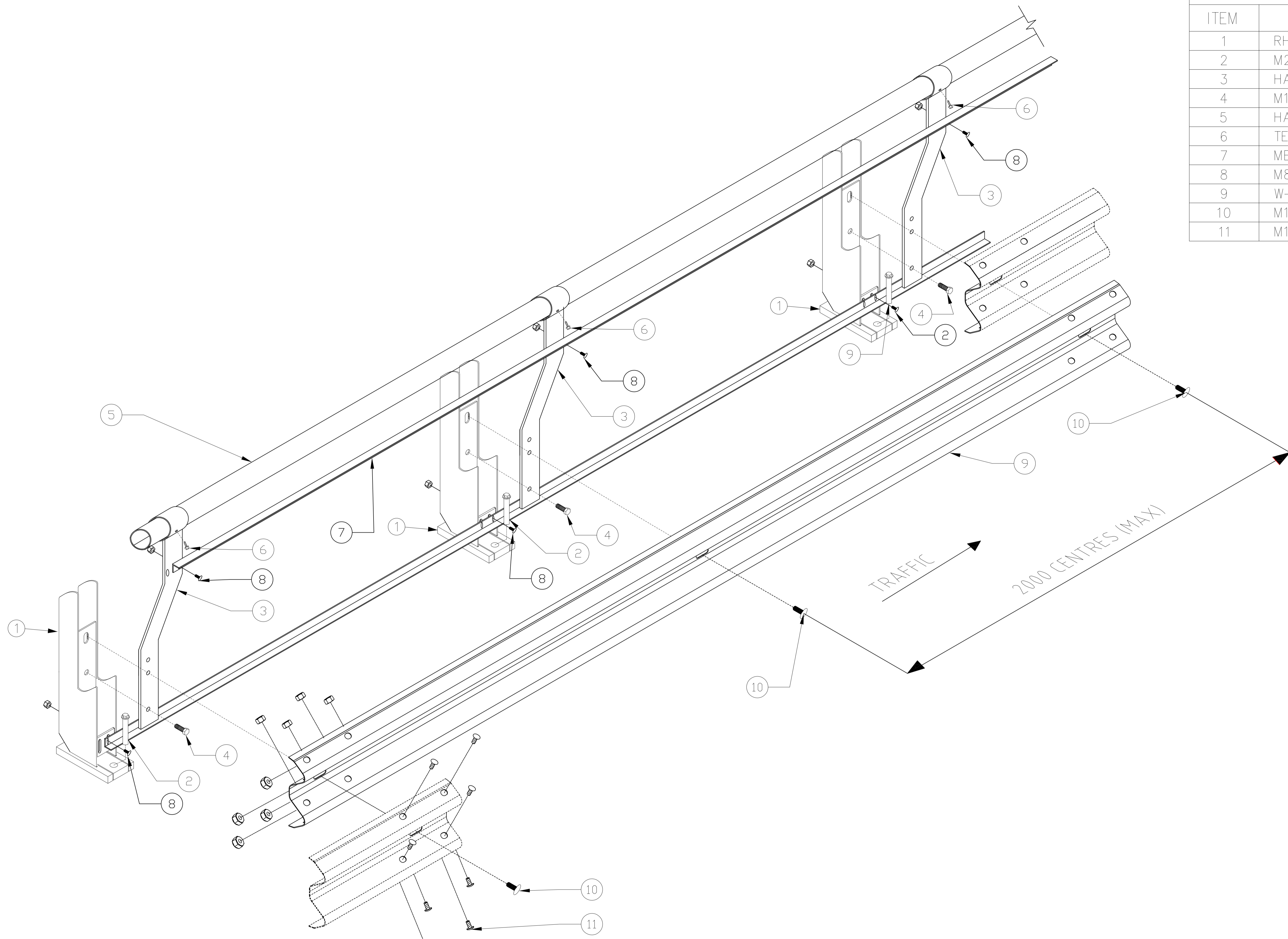


BILL OF MATERIALS	
ITEM	DESCRIPTION
1	RHINO POST
2	M20 ANCHOR BOLT
3	HANDRAIL EXTENSION PIECE
4	M16 x 30mm HEX. BOLT/NUT
5	HANDRAIL 32NB
6	TEK SCREWS
7	MESH SUPPORT ANGLE 30x30x2.5
8	M8 x 20mm CUP BOLT/NUT
9	W-BEAM GUARDRAIL
10	M16 x 50mm POST BOLT/NUT
11	M16 x 32mm SPLICE BOLT/NUT



RHINO-STOP HAS BEEN ASSESSED TO EXCEED THE 30kN IMPACT LOAD AS DESCRIBED IN AS/NZS 1170.1 FOR LIGHT TRAFFIC AREAS.

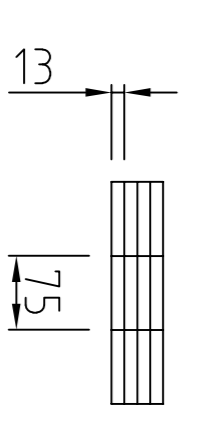
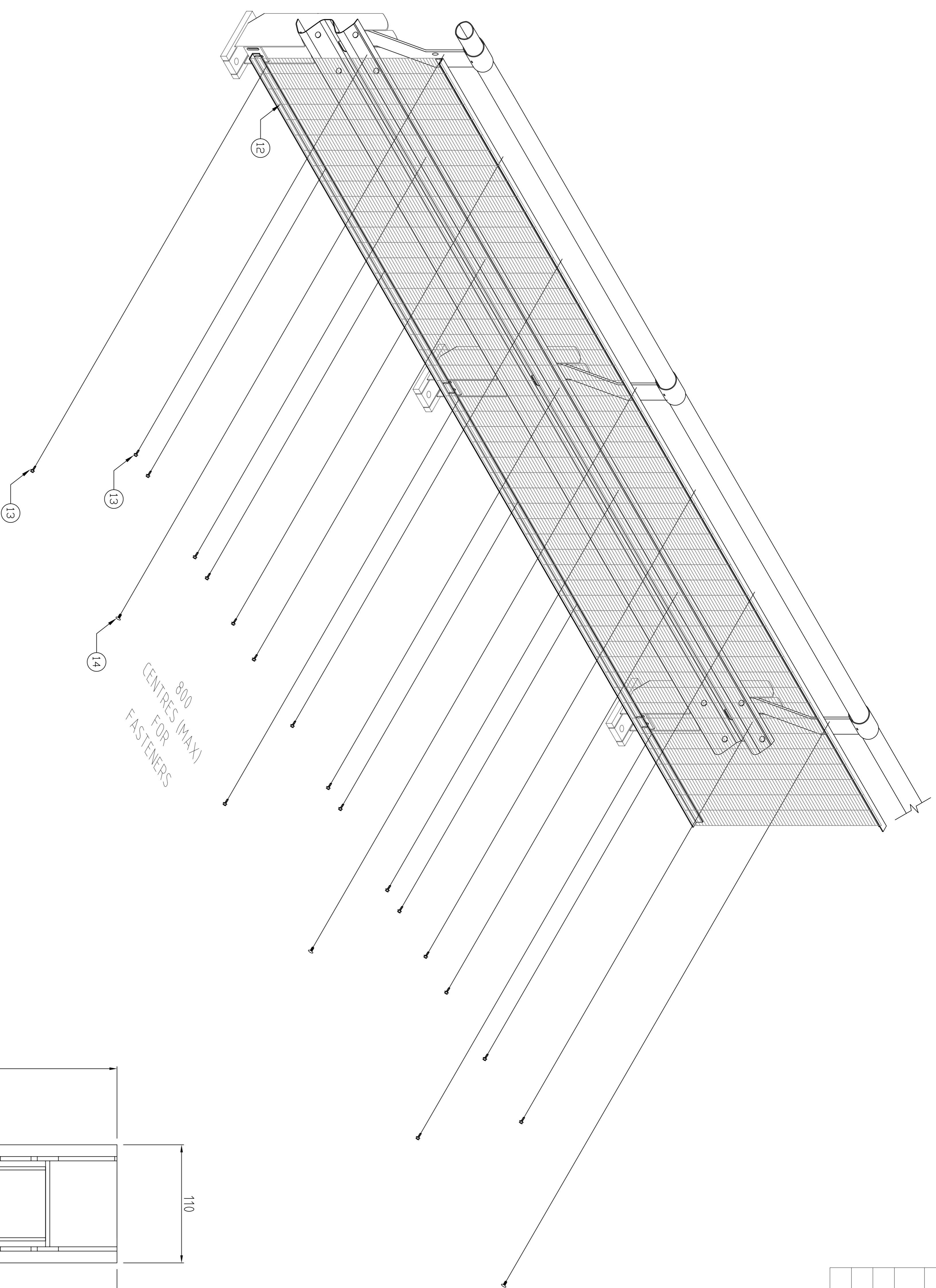
REV	DATE	DESCRIPTION	DRAWN	APPRD.	REV	DATE	DESCRIPTION	DRAWN	APPRD.
C	13.07.17	NEW HANDRAIL EXTENSION ADDED	MS	TC					
B	19.06.14	REVISED AND REISSUED FOR INITIAL ISSUE	DB	TC					
A	23.10.13	INITIAL ISSUE	DB	TC					



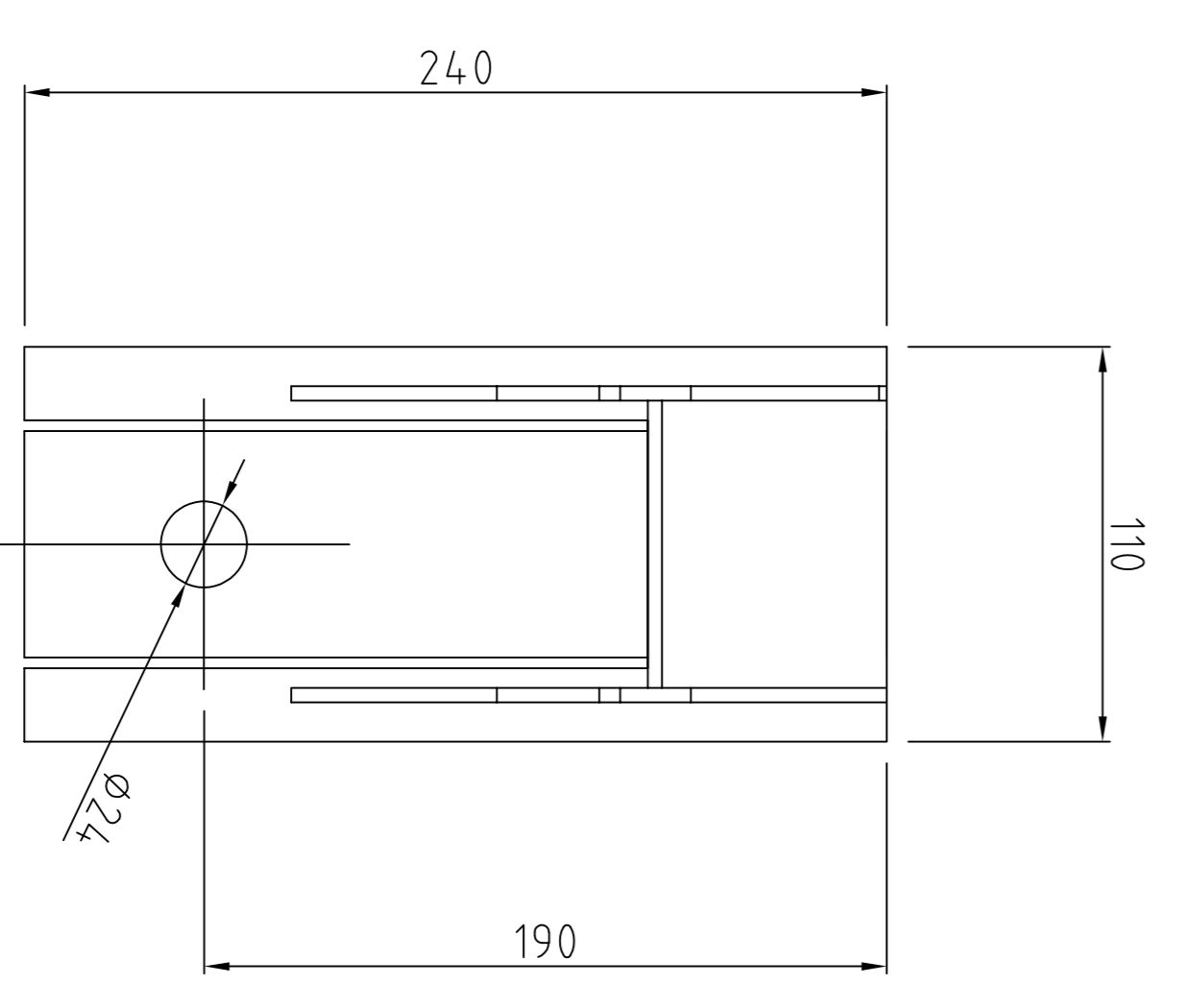
SAFE DIRECTION

DRAWING DESCRIPTION	RHINO-STOP TYPE 4 ASSEMBLY SHEET 1 OF 2			
	DRAWN BY	M. SEAL	DIMENSIONS	mm
DRAWING REFERENCE	GR-WB-023			
	CHECKED	H. WALLACE	SCALE	NTS
APPROVED	T. COLQUHOUN			

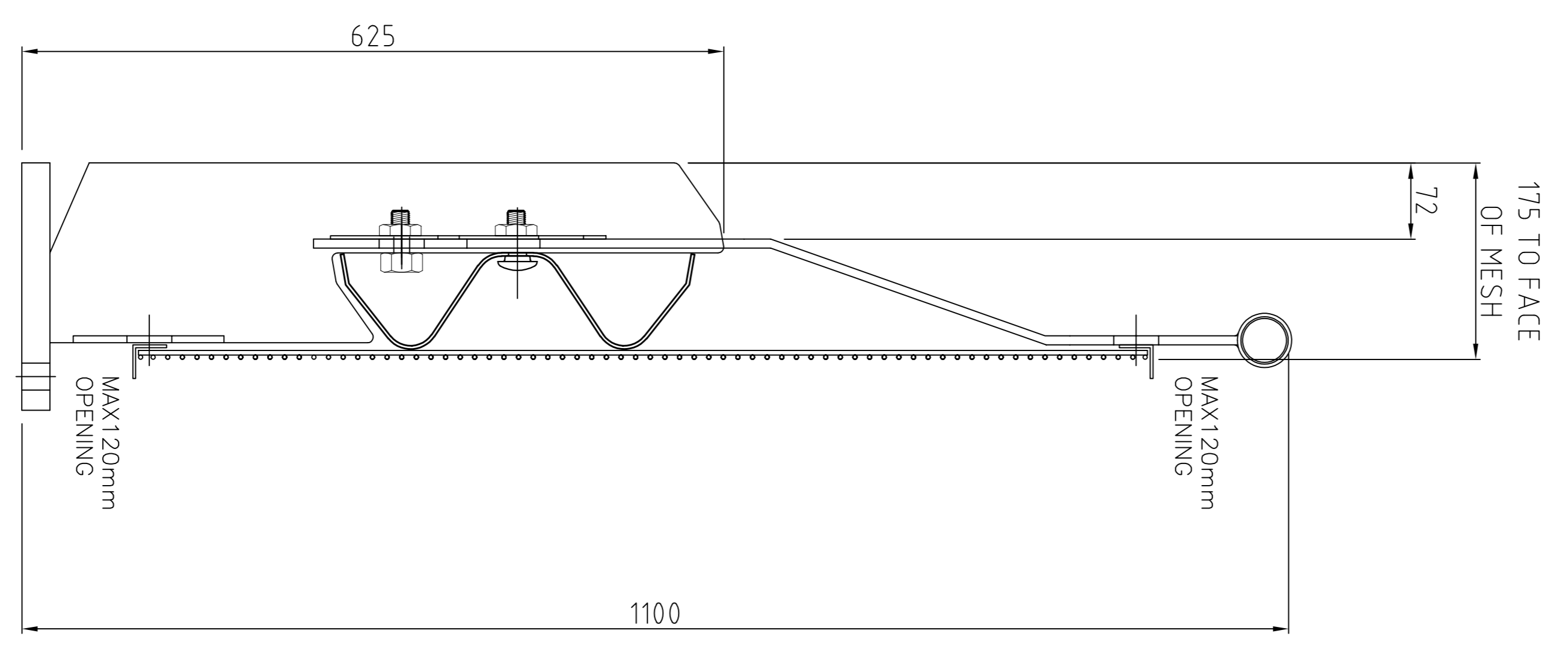
BILL OF MATERIALS	
ITEM	DESCRIPTION
12	MESH INFILL PANEL 2400x900
13	TEK SCREWS
14	M8 x 20mm CUP BOLT/NUIT



MESH DETAIL



BASE PLATE DETAIL



POST ELEVATION

RHINO-STOP HAS BEEN ASSESSED TO EXCEED THE 30KN IMPACT LOAD AS DESCRIBED IN AS/NZS 1170.1 FOR LIGHT TRAFFIC AREAS.

REVISIONS		
REV	DATE	DESCRIPTION
C	13.07.17	NEW HANDRAIL EXTENSION ADDED
B	19.06.14	REVISED AND REISSUED FOR INITIAL ISSUE
A	23.10.13	INITIAL ISSUE

REVISIONS		
REV	DATE	DESCRIPTION

SAFE DIRECTION

DRAWING DESCRIPTION	DRAWING REFERENCE
---------------------	-------------------

RHINO-STOP TYPE 4 ASSEMBLY SHEET 2 OF 2

GR-WB-023

DRAWN BY	M. SEAL	DIMENSIONS	mm
CHECKED	H. WALLACE	SCALE	NTS
APPROVED	T. COLQUHOUN		